

International Society for Orthomolecular Medicine
47th Annual International Orthomolecular Medicine Today Conference

Join us in April 2018 for the 47th Annual ISOM "Orthomolecular Medicine Today" Conference in Tokyo. Our exhibitions offer you an exciting opportunity to present your products and services to healthcare professionals from Asia and all over the world.

Exhibition Menu

Special Sponsorship and Exhibition Packages

Platinum Sponsorship (2 Companies) **¥3,240,000-**

- Lunch Presentation (Main Hall 400 seats)
- Large Booth Space at Entrance Hall (see Floor Plan)
- Company Logo at the Conference Site and Web
- Commercial Video at Main **Sold Out**
- Advertisement on the Program Booklet -1 p Black & White (Upgrade to Color Ad with Additional Fee)
- 5 Conference Passes

Gold Sponsorship (2 Companies) **¥2,160,000-**

- Lunch Presentation (Lecture Room 120 seats)
- Medium Booth Space at Entrance Hall (see Floor Plan)
- Company Logo at the Conference Site and Web
- Commercial Video at Main **Sold Out**
- Advertisement on the Program Booklet -1 p Black & White (Upgrade to Color Ad with Additional Fee)
- 4 Conference Passes

Silver Sponsorship (4 Companies) **¥1,080,000-**

- Lunch Presentation (Lecture Room 60 seats)
- Regular Booth Exhibition
- Company Logo on the Web
- Advertisement on the Program Booklet -1/2 p Black & White (Upgrade to Color with

Additional Fee)

- 2 Conference Passes

Booth

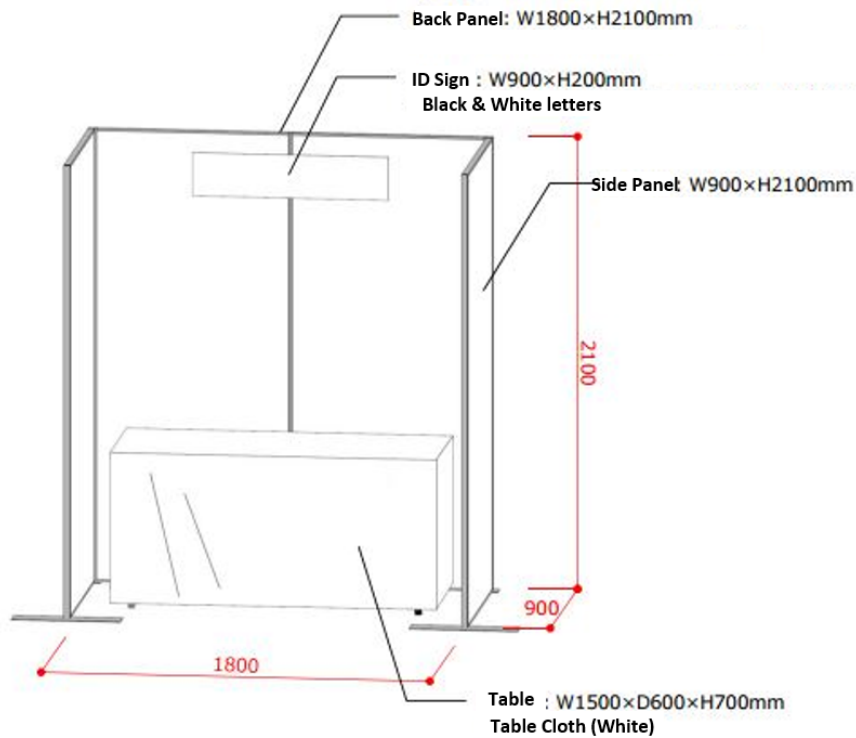
Regular Booth { W1.8×D1.2×H2.1m} ¥324,000-

Includes:

Table	Table cloth (white)	Standard ID Sign
Exhibitor Listings	3 Exhibit Passes	1 Conference Pass

Additional Tools (Need to submit a separate order form):

Extra Lights	Power Outlet	Hangers or Hooks
--------------	--------------	------------------



Breakfast/Lunch/Evening Presentations

Main Hall 400 Seats ¥1,944,000-

- 45 min Presentation
- Maximum Visibility to the Audience
- Presentations are Simultaneously Interpreted (English/Japanese)
- Does Not Include Food/Drinks

Lecture Room (Large) 120 Seats ¥1,080,000-

- 45 min Presentation

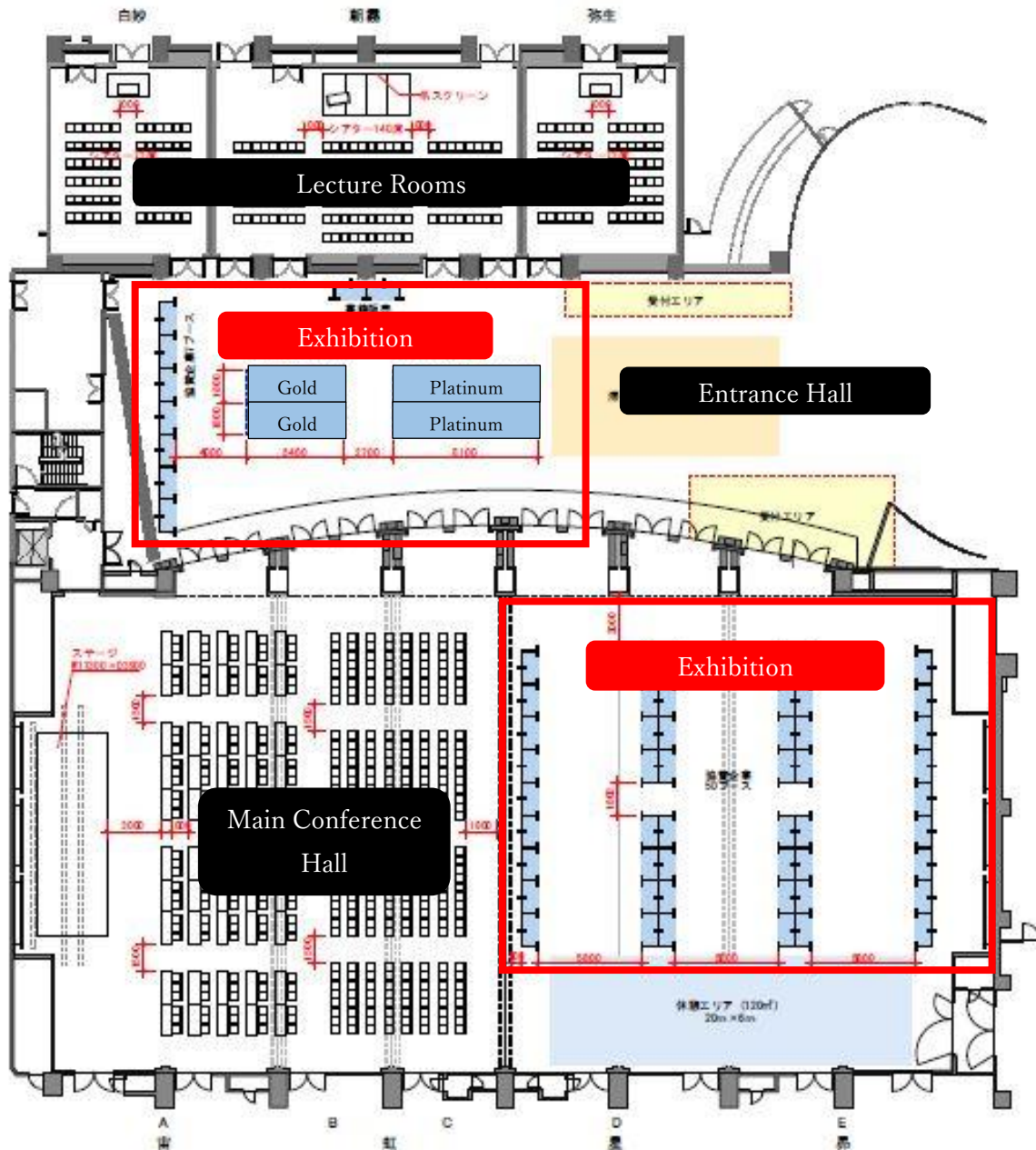
■ Location and Floor Plan

Conference Site: Cerulean Tower Tokyu Hotel <https://www.ceruleantower-hotel.com/en/>

26-1 Sakura-gaoka-cho, Shibuya-ku, Tokyo 150-8512 Japan

Tel: +81-3-3476-3000

B2 Floor



*Hotel parking lots are available. Height restricted to 2.3 m. Contact info@isom-japan.org for reservations

Application Form

COMPANY			
ADDRESS			
TEL		EMAIL	
NAME		TITLE	

Please circle the menu below:

Sponsorship and Exhibition Menu		Fee
① Platinum Sponsorship Package		¥3,240,000-
② Gold Sponsorship Package		¥2,160,000-
③ Silver Sponsorship Package		¥1,080,000-
④ Booth Exhibition	# of booths _____	¥324,000-/booth
Need optional tools for the booth? (Lighting, hangers, etc.) <input type="checkbox"/> Yes <input type="checkbox"/> No		
⑤ Advertisement on Program Booklet (Color 1p)		¥216,000-
⑥ Advertisement on Program Booklet (Black&White 1p)		¥86,400-
⑦ Advertisement on Program Booklet (Black&White 1/2p)		¥54,000-
⑧ Official Goods Sponsorship: Conference Bag		¥540,000-
⑨ Official Goods Sponsorship: Official Pen _or_ Notepad		¥270,000-

Breakfast/Lunch/Evening Presentations

⑩ Main Hall (400 seats)	¥1,944,000-
⑪ Large Lecture Room (120 seats)	¥1,080,000-
⑫ Small Lecture Room (60 seats)	¥648,000-
Enter and circle the dates and time requests:	
1 st Choice: Date – {April _____} Time- { Breakfast / Lunch / Evening }	
2 nd Choice: Date – {April _____} Time- { Breakfast / Lunch / Evening }	

Details of the Presentation (If decided)

Title & Topic	
Presenter	
Chairman	

E-mail info@isom-japan.org

Deadlines

- Wednesday January 31, 2018

Payments

- Payments can be made through Bank Transfer or Credit Card
- Details for the payments will be sent once the application is accepted